

Breaking the rules



V1.2

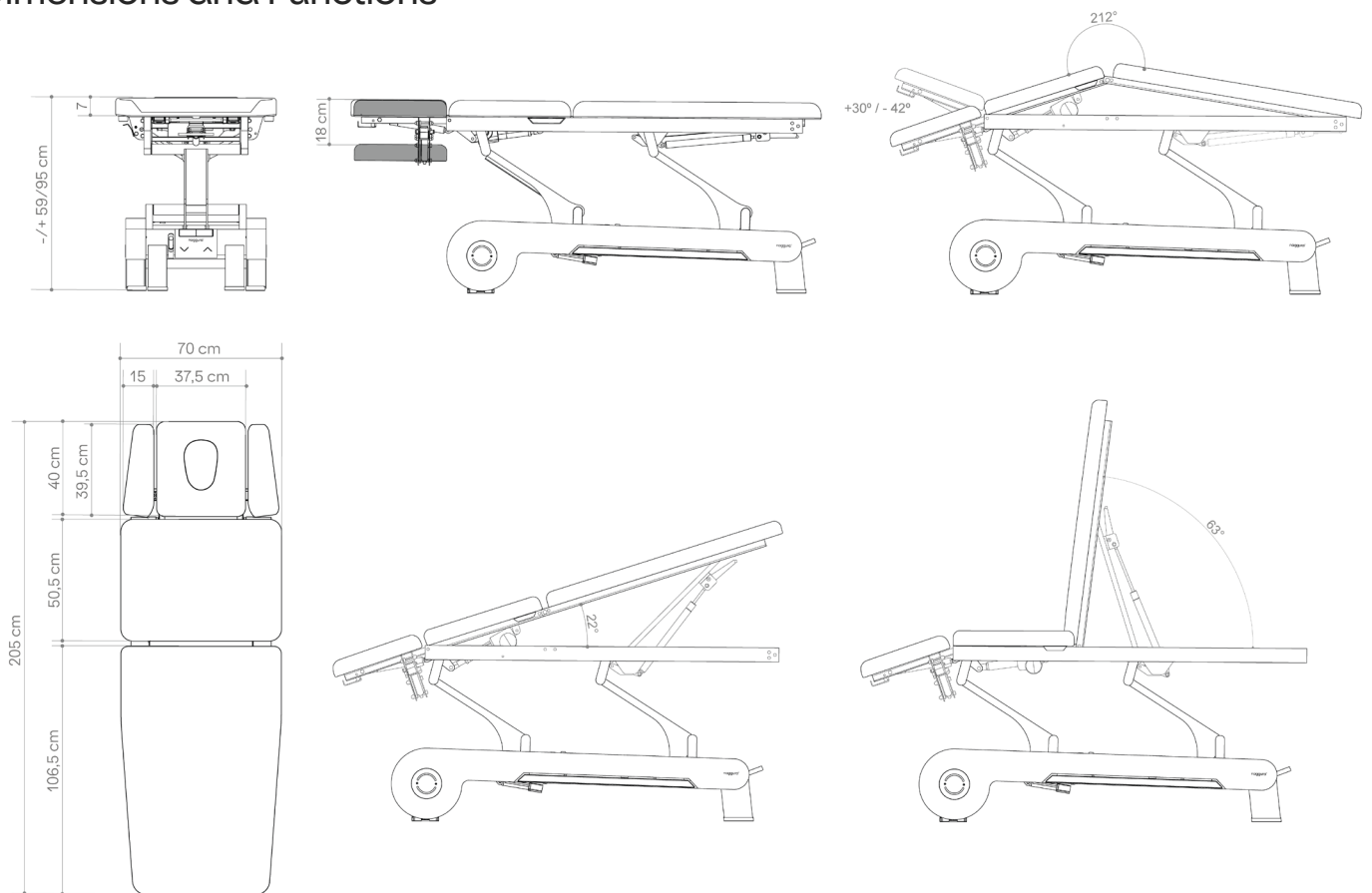
naggura'n



naggura.com



Dimensions and Functions



General Specifications

MOTORS

- 1 engine height (6000 N)
- 1 motor middle section (6000 N)

HEIGHT ADJUSTMENT

-/+ 59/95 cm

WEIGHT

152,5 kg

POWER SUPPLY

- AC100 – 120V, 50/60 Hz
- AC220 – 240V, 50/60 Hz

INSULATION CLASS

Reinforced insulation II

PRODUCT CLASSIFICATION

Class I Equipment

APPLIED PARTS

Type B

MOISTURE RESISTANCE

IPX0

CONFORMITY

- IEC 60601-1:2005, IEC 60601-1:2005/AMD1:2012
- EN 60601-1-2:2015, IEC 60601-1-6:2010
- IEC 60601-1-6:2010/AMD1:2013, ISO 10993-10:2010
- ISO 10993-5:2009

FRAME COLOUR

RAL 7047 + RAL 7011

FEEDER CABLE

3m, White

Upholstery

7cm

Wood base 1,5 cm + 4cm 120kg/m³ + 1,5cm 40kg/m³

Upholstery with straight edges and finished with a saddle stitch.

Coating: 100% vinyl. Permablok 3 © advanced vinyl protection (against germs and bacteria). Superior abrasion resistance: >300K cycles.

Flame retardancy: NF P 92-503/M2

● Colour: Graphite

Operation

TwinLift ® arm supports: stepless and simultaneously adjustable with gas spring. No collision with the therapist.

Head section with 2 gas springs.

B'Soft headrest: high-tech headsection and nosepin in single density foam. Seamless and soft.

Fully integrated peripheral switch, easy access from all sides of the table.

Heating: Cushion heating with XL heating elements.

4 wheels turning 360°. Fully integrated system underneath the base frame. 2 levers lift the table on its 4 wheels.

Electrically adjustable middle section. Switches on both sides.

Foot section with 1 gas spring.

White LED light in the under carriage

Safety

Safety switch with key (power off).

Double tip system with automatic standby system (5 sec), for all motors.

Warranty

2 years on table and upholstery.

Accessories

3 models of stools, 5 colours



Paper roll holder



Bed covers, 2 colours

