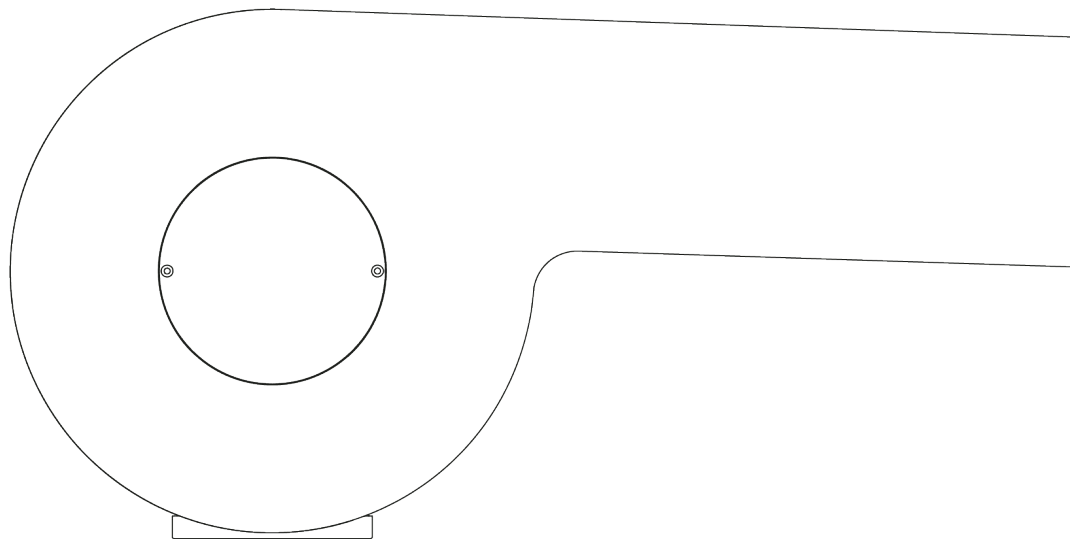


N'RUN__line

Instruction Manual

N'RUN series 2-3-4-5 models, with accessories














VERSION 1.0

Instruction Manual

N'RUN series 2-3-4-5 models, with accessories

Table of contents

-  1. Introduction
-  2. Use of the manual
-  3. Warranty
-  4. Liability
-  5. EC Declaration of conformity
-  6. Safety instructions
-  7. Product Dimensions
-  8. Operation
 - Wheel block/unblocking system
 - Gas piston levers
 - Peripheral switch
 - Handlebar support
 - Paper roll holder
 - Nose gap
 - Twinlift armrests
 - Folding widening supports
 - Safety lock
 - Switches for lumbar flexion and Heating
 - Lever for back section
-  9. Maintenance and cleaning
-  10. Troubleshooting
-  11. Service



1. Introduction

CONGRATULATIONS! You took NAGGURA home!

Thank you for having acquired a NAGGURA product and for the trust shown in us.

We are sure that this treatment table will turn into the pillar of your work and will more than fulfil your most demanding work requirements. NAGGURA's experts are in the lead of a project created with great devotion. Every single detail has been cared to join technology, performance and design altogether in a single table. Our aim is designing and manufacturing INTUITIVE, DYNAMIC and HI-TECH tables of a DARING and UNIQUE design.

Thanks for your choice and start enjoying the NAGGURA experience.

 naggura'



2. Use of the Manual

Please make sure that this instructions manual is always accessible to the personnel involved with the use of this equipment.

The manual describes the correct use of the different models and types.

Some texts and/or illustrations are not relevant to your Naggura couch since it depends on your product choice at the purchase time.



3. Warranty

The warranty period for your Naggura N'RUN is 2 years for all the components of the couch, from its date of purchase.

The above-mentioned warranty is not applicable in the following cases:

- a. In the event of improper use of the couch;
- b. In the event of non-observance of the precautions stated in this instruction manual;
- c. If repair and maintenance are carried out by non-qualified service personnel who are unauthorized by the manufacturer.
- d. the device is not serviced regularly in accordance with the instructions (maintenance interval: every 2 years)
- e. the electrical installation meets the legal requirements

The warranty only covers materials and production defects.



4. Liability

The manufacturer cannot be held responsible for any consequences incurred by the user, the patient or by the couch itself as a result of e.g.

- a. A wrong diagnosis;
- b. Incorrect use of the couch or any of its accessories;
- c. The wrong interpretation or non-observance of this user manual;
- d. A lack of maintenance of the couch;
- e. Or maintenance works of the couch and/or repairs performed by persons unauthorized to do so by the manufacturer.

After a period of 10 (ten) years after introduction of the couch (or any of its accessories), the manufacturer can no longer be held responsible for any flaws in the couch or its accessories and he will no longer be obliged to supply any spare parts or accessories.

Expected lifespan

The expected lifespan of the Naggura bed is 10 years. This counts from the production date.

Naggura will try to provide spare parts during this period, as far as possible.



5. EC Declaration of conformity

Naggura products are produced and marked in conformity with the directives hereby stated:

Low voltage: 2014/35/CE

Electromagnetic compatibility: 2014/30/CE



Classification (according to the Annex of MDR): class I, rule 1

Conformity assessment route: Chapters I and III of Annex IX of MDR

These products are manufactured according the essential requirements established in the European Medical Device Directive: IEC 60601-1-2:2014 (fourth edition), IEC 60601-1:2005

COR1: 2006, COR2:2007, AMD1:2012 (or IEC 60601-1:2012 reprint), IEC 60601-1-6:2010, AMD1:2013 for use in conjunction with IEC 62366:2007, AMD1:2014 and IEC 60601-1:2005, COR1:2006, COR2:2007, AMD1:2012

The N'RUN line has a guarantee of 2 years in all parts. The manufacturer will not be held responsible for the results of maintenance or repairs performed by unauthorised persons. For further information on guarantee terms, please contact your distributor.



6. Safety instructions

Responsibility of the owner

Naggura treatment tables are only meant to be used by professional personnel in Physiotherapy, rehabilitation, examination and massage field.

It is the responsibility of the owner to ensure that training is given to all operators and third parties (like for example cleaning personnel) on safe use of the treatment table, and that they have read and understood all the operating and safety instructions. Only trained operators may use the treatment bed. Please keep the manual in a place where it is easily accessible to all users, and make it an important part of your employee training program.

Safety on installation and electricity

- Place the table in a space with free access from the 4 sides. Do not place the table against the wall or against any obstacles.
- Do not use the table in a high-humidity environment
- Check if the mains voltage and frequency are in accordance with the information on the typeshield. If not, contact your supplier before connecting the device.
- Make sure that the unit is correctly plugged into an earth intake, following the local and national requirements and standards.
- Make sure that the mains cable is positioned in such a way that it cannot get stuck between the mechanism.
- Especially pay attention that the mains cable does not get pinched under the feet of the table, for example after the tables has been moved on its wheels.
- If the table gets wet accidentally, unplug the table immediately.



Safety instructions

Safety during treatments

- Don't let anybody, except the operator and the patient, in the treatment room
- The bed may not be used for patient transport.
- Never leave the bed on its wheels during treatment.
- Do not exceed the maximum load of the table (see typeshield)
- Place the table on a stable and horizontal surface.
- Guide the backrest section with the other hand when adjusting the backrest by gas levers.
- Make sure that all persons, hands, or limbs are always clear from the mechanism of the bed especially when the table or parts of the table move downwards (picture below)

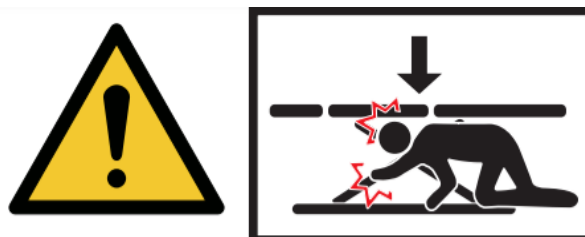


Safety before or after the treatment

- Put the safety lock in off-position (green LED must be off) and remove the safety key.
- Do not leave anybody unattended alone near the table

Safety when cleaning the bed or the therapy room

- Put the safety lock in off-position and remove the safety key (green LED must be off)
- Pull out the mains plug
- Do not move into the elevating mechanism (picture below)

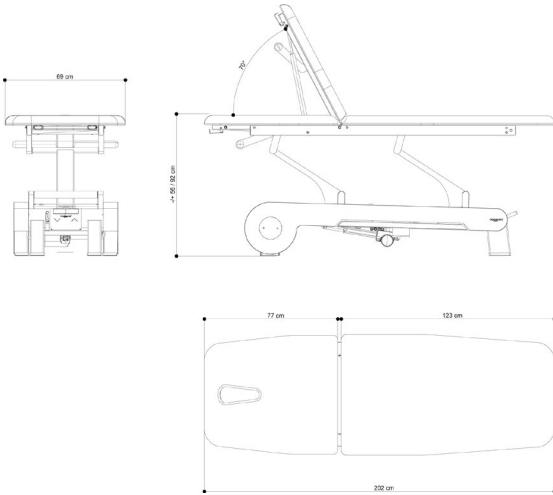


N'RUN

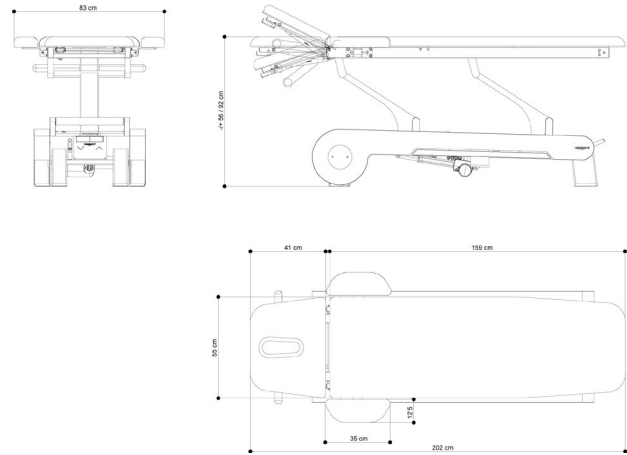


7. Product dimensions

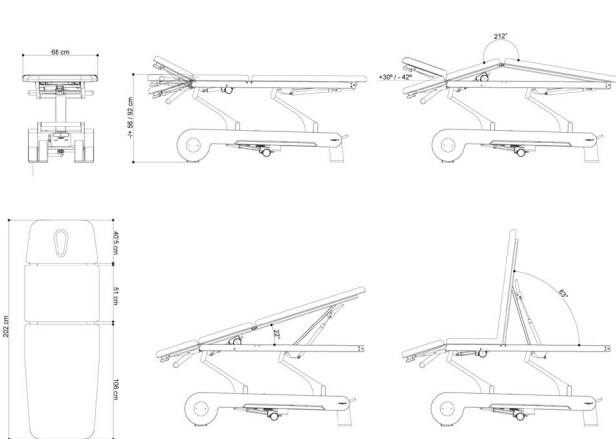
N'RUN 2L



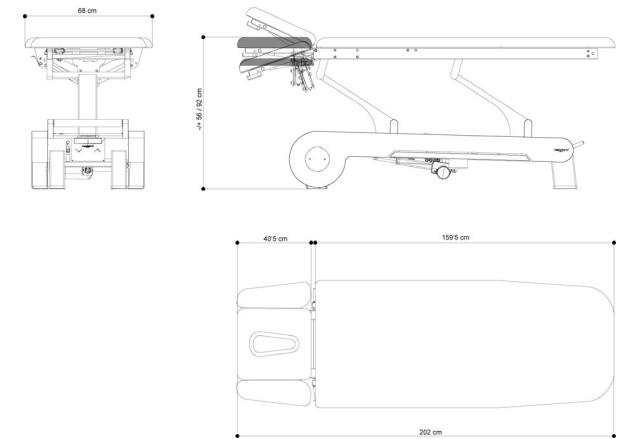
N'RUN 2W



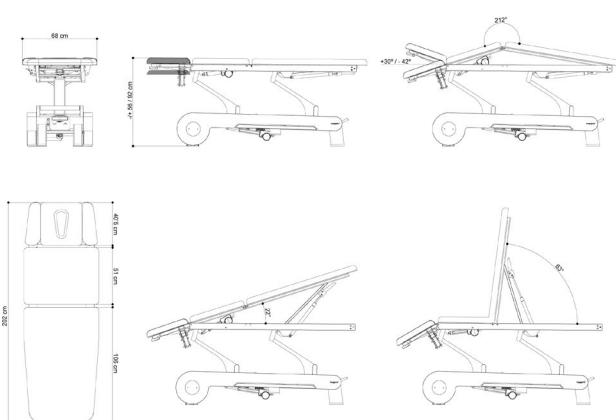
N'RUN 3



N'RUN 4

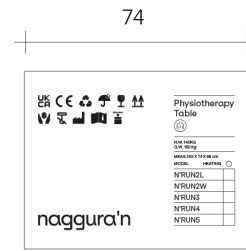
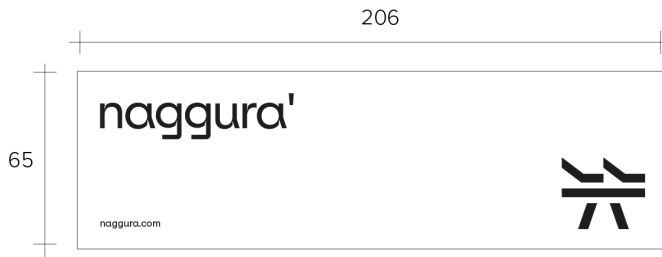


N'RUN 5





Pack dimensions (cm)

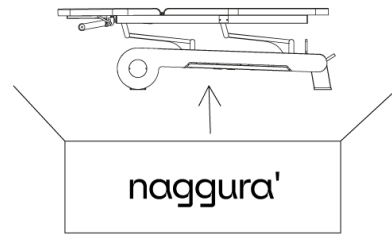


Handling and transport

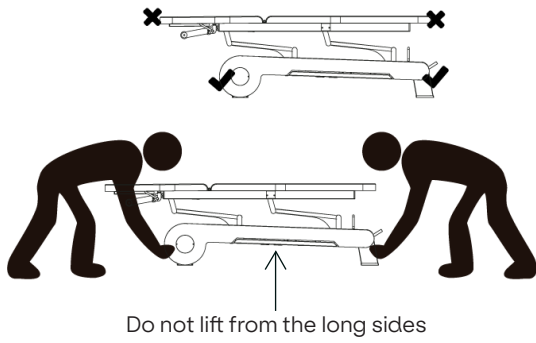
①



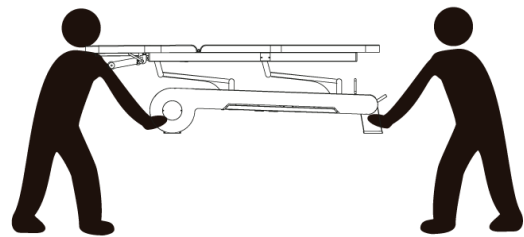
②



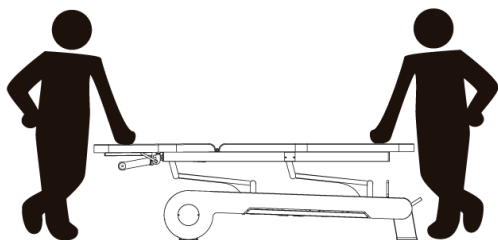
③



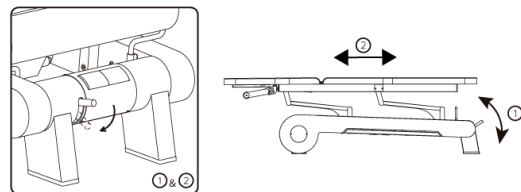
④



⑤

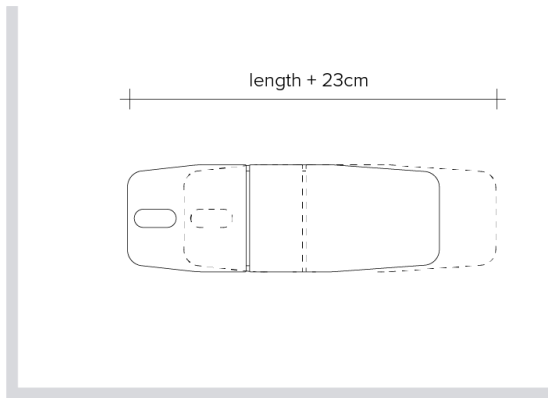


⑥

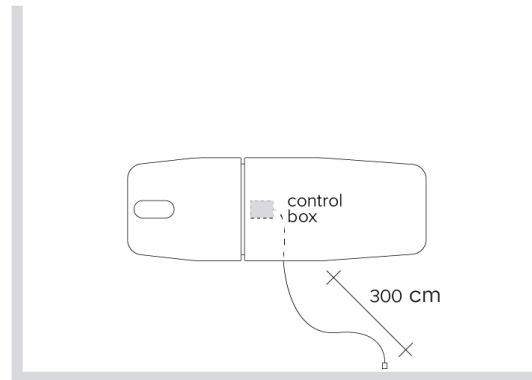




Product dimensions in movement (cm)



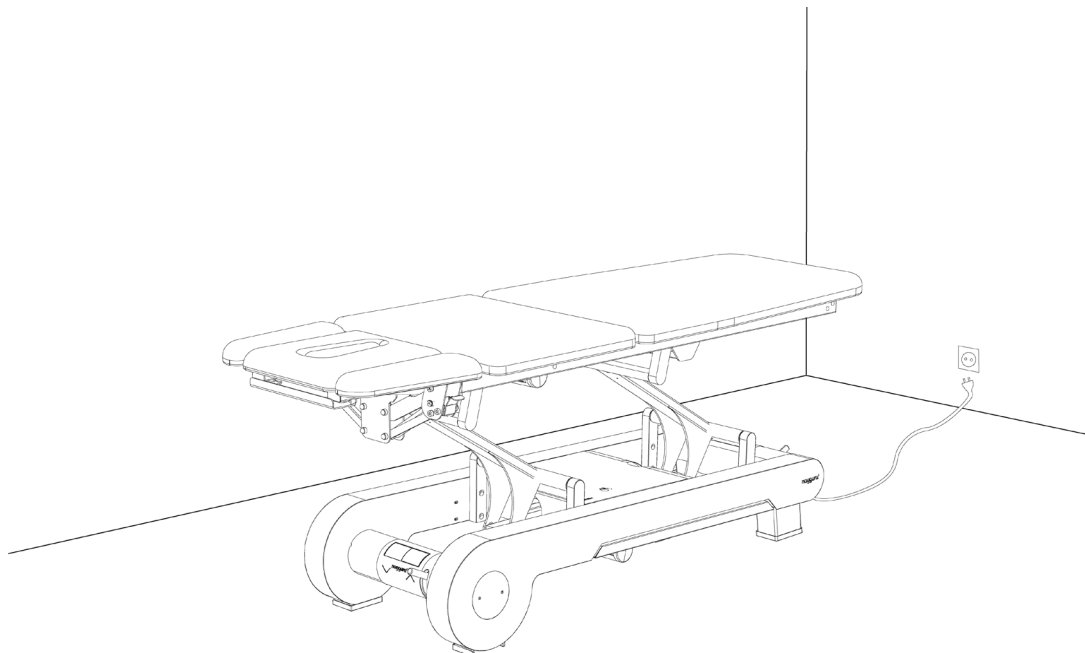
Power cord length (cm)



8. Operation

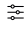

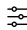
Power input

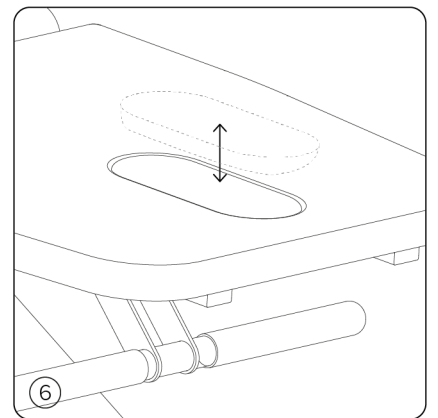
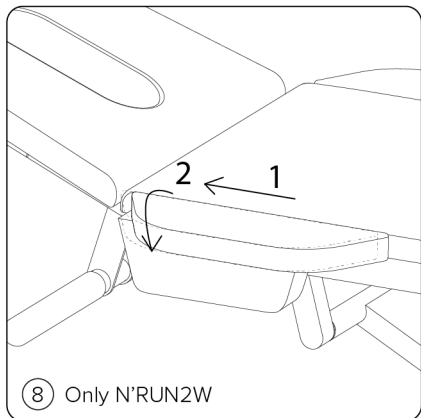
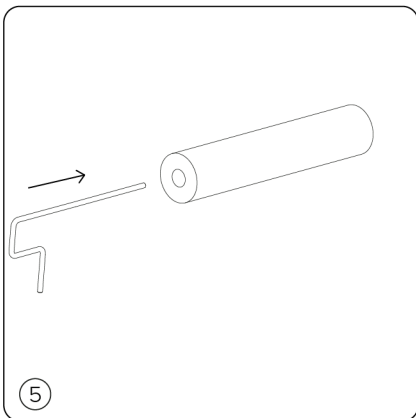
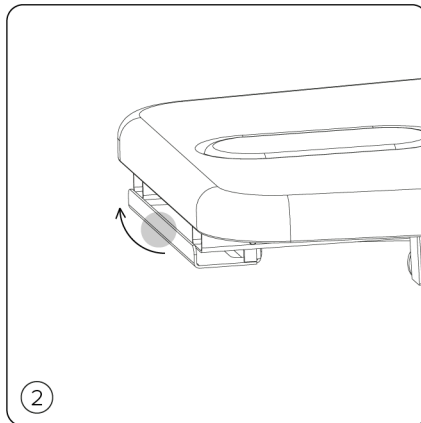
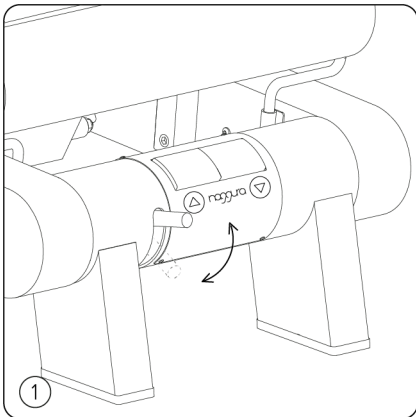
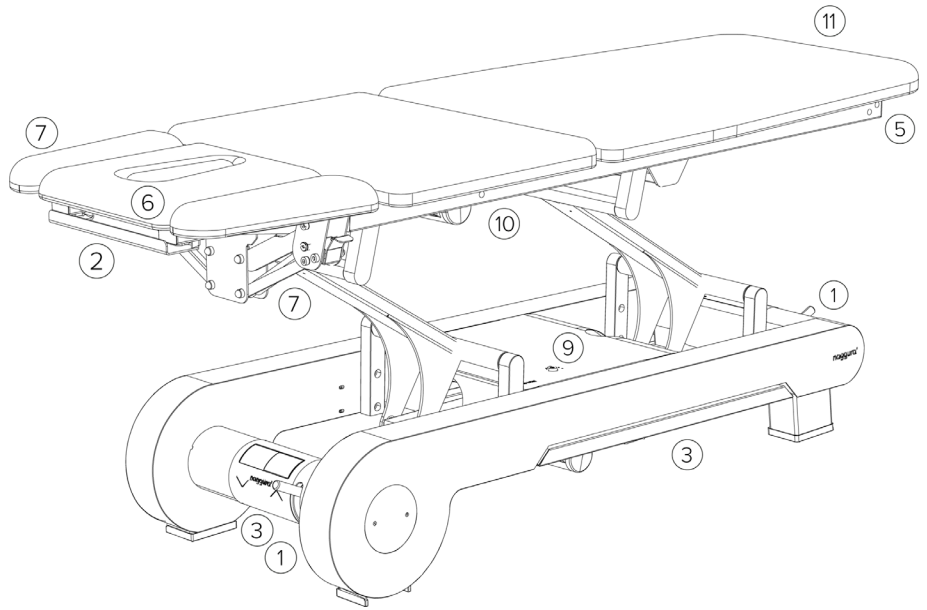
Voltage and frequency input shall be AC 100-120, 50/60Hz or 220-240V, 50/60Hz. Plug the bed on the power supply properly as shown below:





Operation of N'Run

1. Wheel block/unblocking system
 2. Gas piston levers
 3. Peripheral switch
 4. Handlebar support (NRUN2L, 2W and 3)
 -  5. Paper roll holder
 6. Breather hole
 7. Twinlift armrests (NRUN4 and 5)
 8. Folding widening supports (NRUN 2W)
 9. Safety Lock
 -  10. Switches for lumbar flexion and Heating
 11. Lever for back section
-  Optional

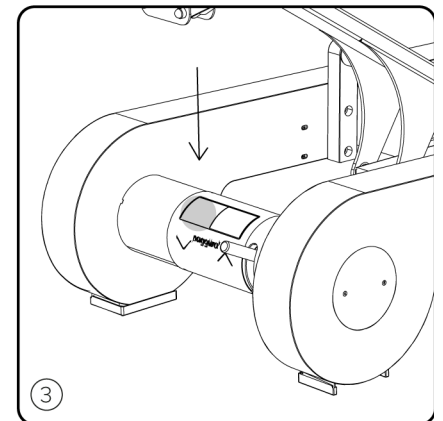
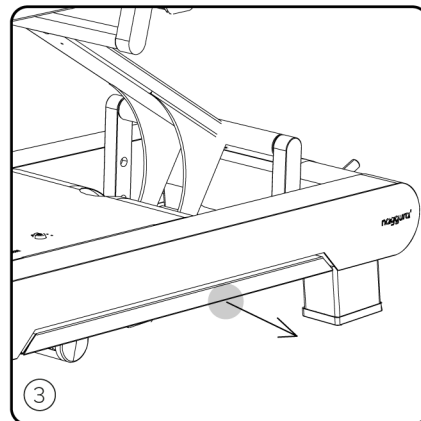
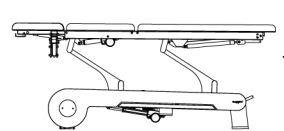
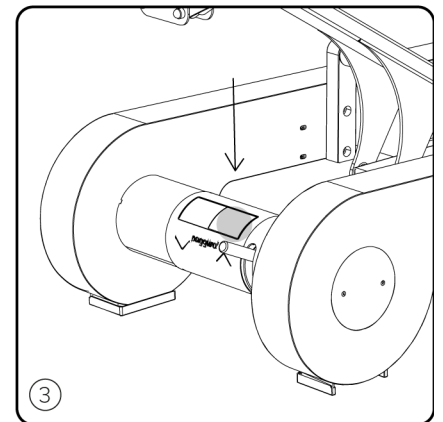
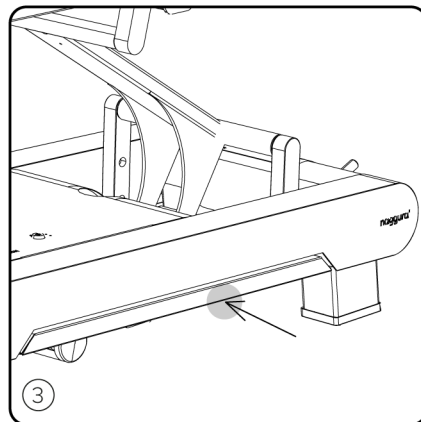
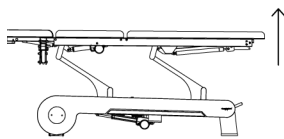
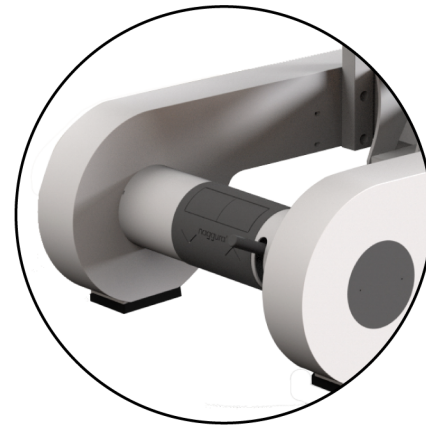
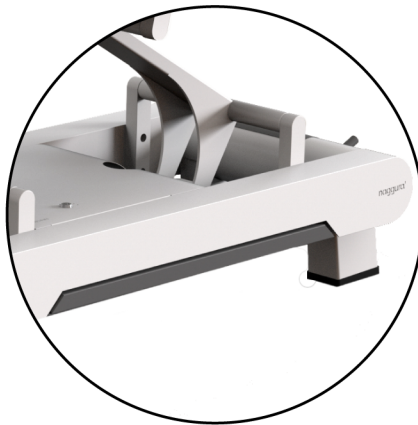




Operation

Peripheral Switch ③

The height of the table can be adjusted from the 4 sides of the table thanks to a very intuitive peripheral switch. The mechanism on both sides consists of 2 grey long overhanging bars which are fully integrated in the base making the design simply beautiful. When the physiotherapist presses the bar with his foot, the table goes up. If the physiotherapist pulls on the same bar, the table goes down. In the front and rear part of the table, the height motion is operated by means of 2 foot switches for both up and down movements respectively. The arrows show the sense of the movement (up or down). In the case of N'RUN3 and N'RUN5 (2 engines), the peripheral switch controls the height, while the second motor movements are controlled by 2 buttons placed one side of the table.





Operation

Specifications

Product size	202 (+/- 23 cm with movement) x 68 x 56 / 92 cm
Package size	206 x 74 x 65 cm
Highest position	92 cm
Lowest position	56 cm
Net weight	132 / 148 Kg
Gross weight	142 / 158 Kg
Power	AC 100 - 120V, 50/60Hz · AC 220 - 240V, 50/60Hz
Max power	300W
Environment temperature	0°C - +40°C
Relative humidity	30% - 90%
Max weight supported	200Kg

Section motors 10

If your table is equipped with more than one motor to adjust one of the sections, is possible to adjust them by the push button box placed at both sides of the table. If a handcontroller is included, the motors can also be adjusted by the buttons on the handcontroller.



N'RUN3 and N'RUN5 button panel for controlling middle section engine.

Optional

Switches for lumbar flexion and heating 10

The tables N'RUN3 and N'RUN5 may feature the optional heating. This feature is controlled by the side button panel in the top of the bed, and it allows to switch on or off the heating system. You can check the state of the heating system by looking at the LED indicator. Next to the heating option, you can find the controls of the middle section motor.

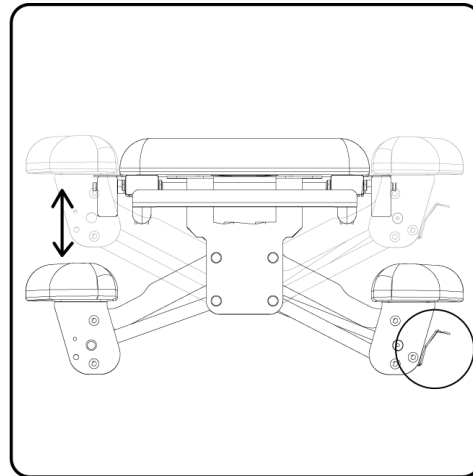
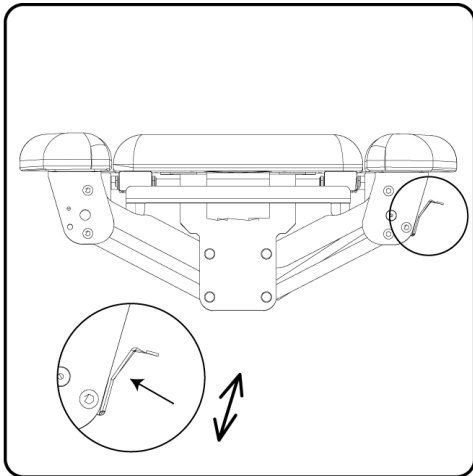




Operation

Twinlift Armrests ⑦

If your table is equipped with a head section with arms support (N'RUN4 or N'RUN5), you can adjust them as it is shown in the pictures below. Press the lever on the side, and adjust the exact height you need the armrests to be. Both arms will effortlessly move at the same time to the desired position.



Safety lock ⑨

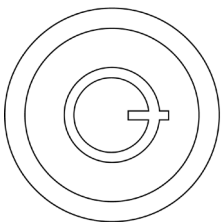
The table can be locked or unlocked using the key on the base. If the key switched to ON-position (in vertical position, pointed towards the LED), the LED behind the safety lock lights up, and you hear a “beep”. Now the table and all its functions are unlocked and ready to use.

ON



← LED to indicate if the table is switched ON

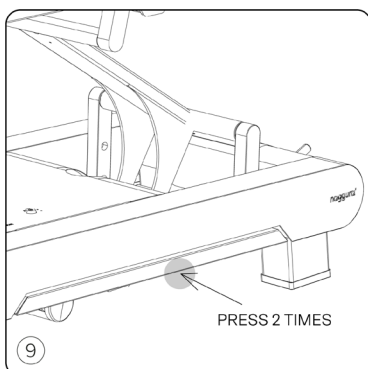
If the key is in OFF-position (horizontal position), the table is locked and all the electrical systems are disabled.



OFF

The safety-key can only be removed when the safety lock is in OFF-position.

Integrated safety system with automatic standby mode*



*(Only available for Germany)

The table can only be released from its standby mode when the peripheral switch or the switch for lumbar flexion is pushed 2-times. This is called the double-tip system.

Once it is released, the user can adjust all settings within a period of approx. 5 sec. After that, the system goes automatically into standby mode again.



9. Maintenance and cleaning

Cleaning the chassis and metal frame:

Clean the table with a clean, soft and dry cloth.

For persisting stains, use a white cloth, damp it with clear water and a domestic household cleaner FREE of alcohol.

Cleaning the cushions:

The Naggura tables have a high quality Spradling vinyl protected by Permablok, against stains and abrasion.

The vinyl should be cleaned periodically in order to maintain its appearance and prevent build-up of dirt and contaminants.

Any stains should be removed immediately.

Daily cleaning:

Clean the entire surface using a mixture of 1:9 liquid soap (neutral PH) and water. Do not use soap or cleaning solutions that contain alcohol, ketones, xylene, acetates or solvents.

- Massage oils should be removed with a PH-neutral soap immediately.

Cleaning of tougher stains:

Use the original Naggura Cuirnet high-performance cleaner in a dilution of 1:9 Cuirnet and water.

If the stain cannot be removed, the cuirnet cleaner maybe be used undiluted.

-After the cleaning, always rinse with clear water and dry.

-NEVER use the Naggura Cuirnet cleaner for the metal frame of the table.

Disinfection:

The list of recommended disinfectants, refers to the performance of Permablok in specific tests, conducted under laboratory conditions. Results may vary under actual conditions.

Asepticare TB + II

Antifect (in 0,5% dilution)

Cavivipes XL Packed

Cleanisept Wipes

Clorox Healthcare bleach germicidal wipes

Desomed rapid

FD 366

Hydrogen Peroxide Disinfectant Wipes

Instrunet Anionsurf

Lysol Foaming disinfectant cleaner

Microzid

Oxivir TB Wipes

Oxycide Diluted 3 oz/gl in water

PDI Sani-cloth bleach wipes

Sanicloth AF 3

Sodium Hypochlorite disinfectant bleach cleaner (dilution 1:10 of bleach and water)

Surfanious Premium (in 0,25% dilution)

Surfa'Safe Premium (in 0,25% dilution)

Super-sani-cloth

Virex II 256 (1:256 dilution)

Virox 5 Rtu

Wet wipe

Wex Cide 128 (1:128 dilution)

After the surface has been disinfected or cleaned, rinse the surface with clean water and dry.

Maintenance

Naggura tables have been designed for an intensive use during long time thanks to its stability, reliability and durability.

However, we advise to keep the table in perfect conditions and make a correct use of it. Unplug the table if you will not use it for a long period of time.

Environment information

If this symbol appears on electrical products or on its packaging, this means that they must be recycled properly. Please ensure that you are well informed of the local rules and regulations regarding to the removal of equipment and accessories.



10. Troubleshooting

The top sections cannot be adjusted

The supporting gas springs might "stick" if the couch has not been used for a long time

- In such a case, push the corresponding lever with your hand, wait for a few seconds and pull the table section upwards with the other hand.

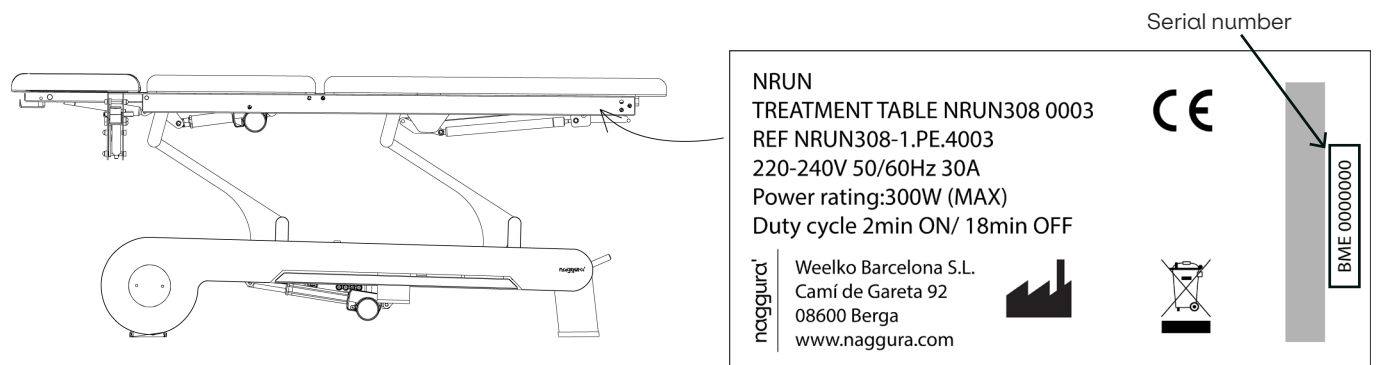
The electric adjustments do not work

- Check if the keyswitch is on.
- Check if the green LED lights up.
- Check the power cable for any damage.
- Check all the plugs and connections.

Persisting problems

If the problem persists, contact your local distributor and provide the serial number and the model of the table, or a picture of the typeshield.

This can be found on the typeshield, located at the backside of the table, inside the top frame.



11. Service

Only a technician authorized by Naggura is allowed to perform any kind of repairs on the bed.

If your technical staff is allowed by Naggura to repair the bed, naggura can provide the necessary instructions and spare parts lists.

Please contact your local Naggura distributor for more information.



Our products are subject to continuous technical improvements. Naggura reserves the right to change or modify the product and contents without prior notice.

naggura'

Pol. Ind. La Valldan
Camí de Garreta, 92
08600 Berga
Barcelona - Spain
T. +34 93 824 90 20
E. info@naggura.com